

Valla
MANITEX

V90R

*9 US ton Pick&Carry Crane
Radio Remote Controlled*



Zero Emission 

BATTERY OPERATED RADIO-REMOTE CONTROLLED MOBILE PICK&CARRY CRANE



Radio Remote Control as standard

Front-wheel drive
14° gradeability



23.6" extendable wheelbase available as a capacity boost option

100% lift capacity on main lift cylinder



100% lift capacity on telescopic cylinder

Exclusive octagonal full power boom



19'2" maximum outreach*:
up to 4,200lbs capacity

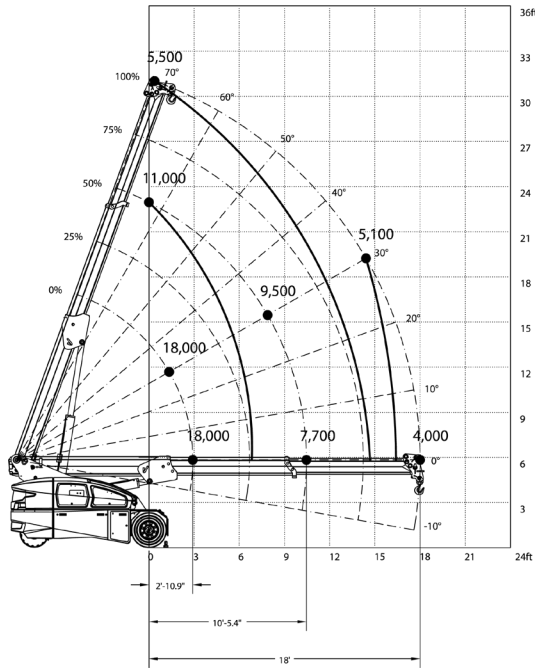
*with tilting boom head in position 4

Stepless electronic transmission; up to 4mph max. travel speed

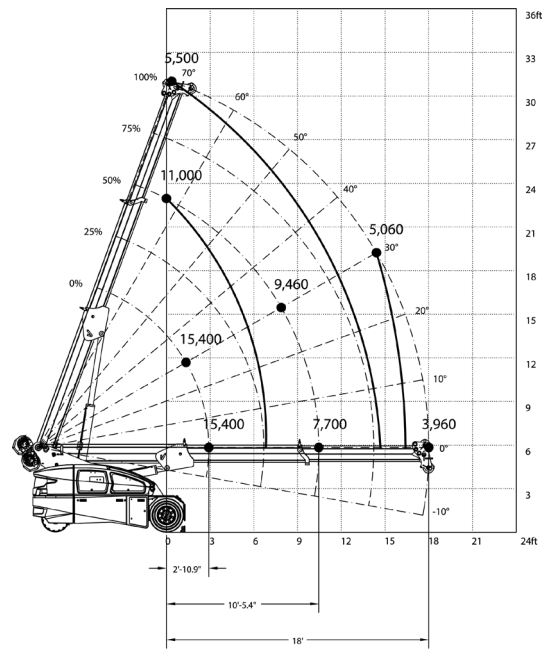


LOAD CHARTS

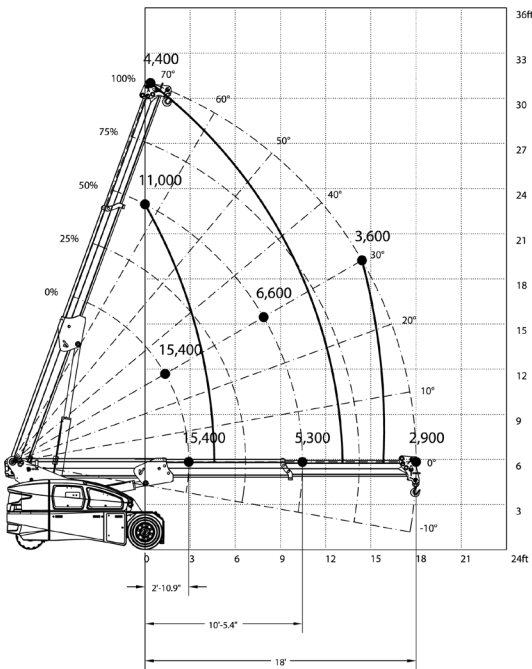
Short Wheelbase - Crossbar
Deployed Pick&Carry Hook



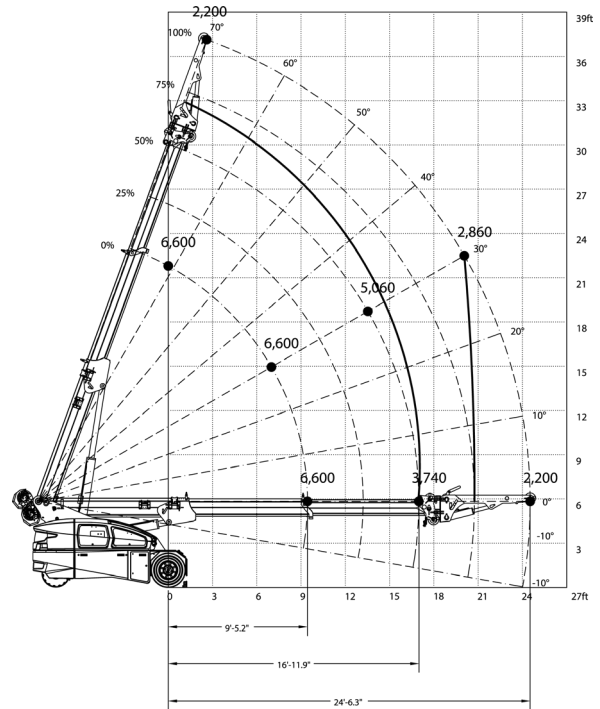
Short Wheelbase - Crossbar
Deployed Winch



Short Wheelbase - Crossbar
Lifted Pick&Carry Hook



Short Wheelbase - Crossbar
Deployed Hydraulic Jib - Winch



- 1- The specifications and load charts comply with Machinery Directive 2006/42/CE and EN 13000
- 2- Lifting capacities are given in U.S. tons
- 3- The weight of hook blocks are part of the load and therefore must be deducted from the lifting capacities
- 4- This technical information is for information only and subject to change without notice
- 5- All capacities except when crossbeam is deployed are fully mobile, pick-and-carry

OPTIONAL EXTRAS

FRONT STABILIZER



Capacity Boost
Option

HYDRAULIC WINCH



15,432lbs winch
w/ 213ft rope and
A2B

FOLDING HYDRAULIC JIB



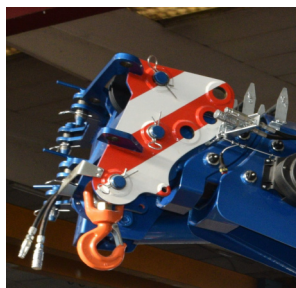
Stows on the boom
when not in use

FOLDING HYDRAULIC JIB



6,600lbs capacity
8'10" hydraulic jib

PICK&CARRY HOOK



9 US ton capacity
pick&carry hook

NON-MARKING TYRES



For working indoors

SWINGING HOOK HEAD



4 position tilting
boom head

DIMENSIONS AND WORKING WEIGHT

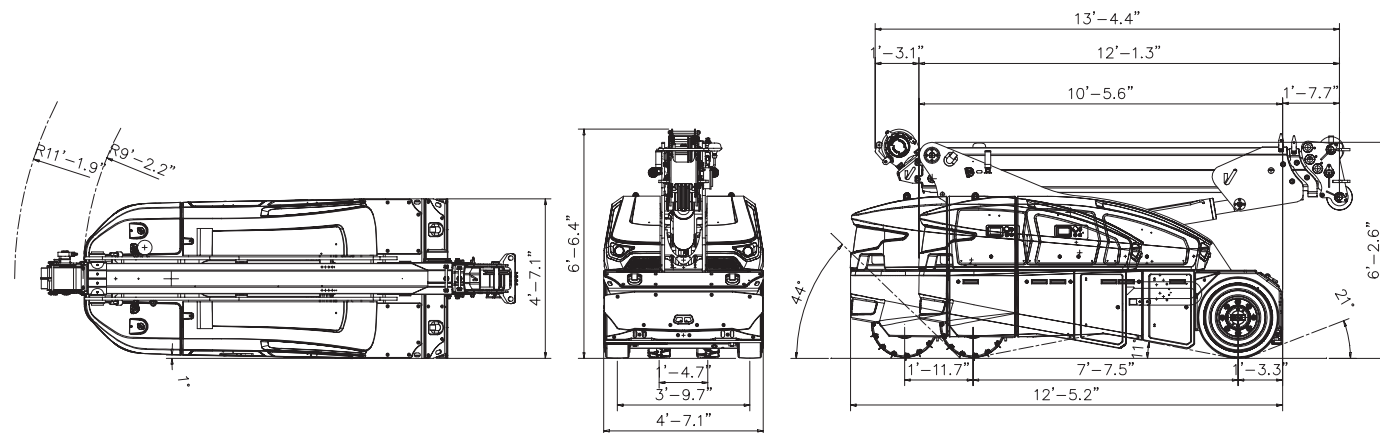
Under 79"
clearance height

4'7" wide

Tight tail swing

Short overall length

Working weight:
approx. 18,730lbs



Manitex Valla
9725 Industrial Drive,
Bridgeview, IL 60455

708.237.2091
valla@manitex.com
www.manitexvalla.com