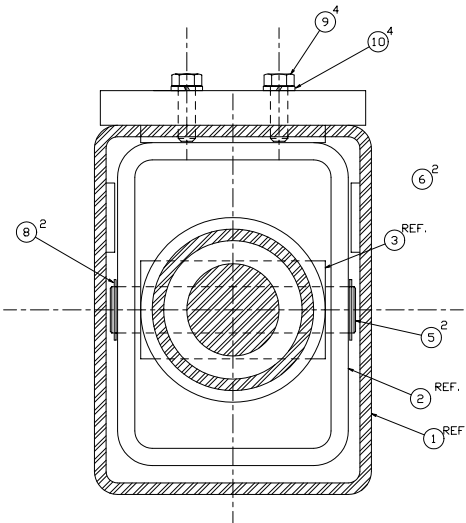
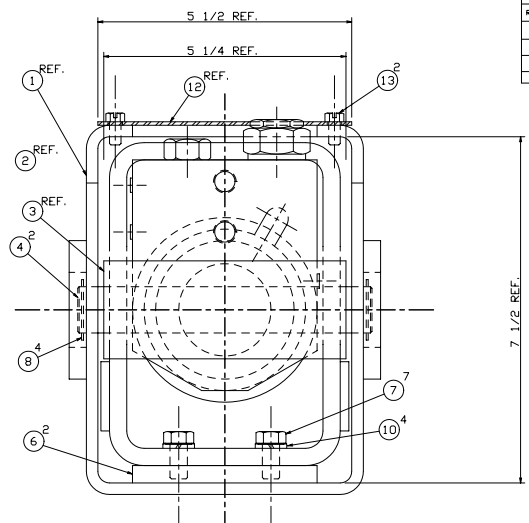


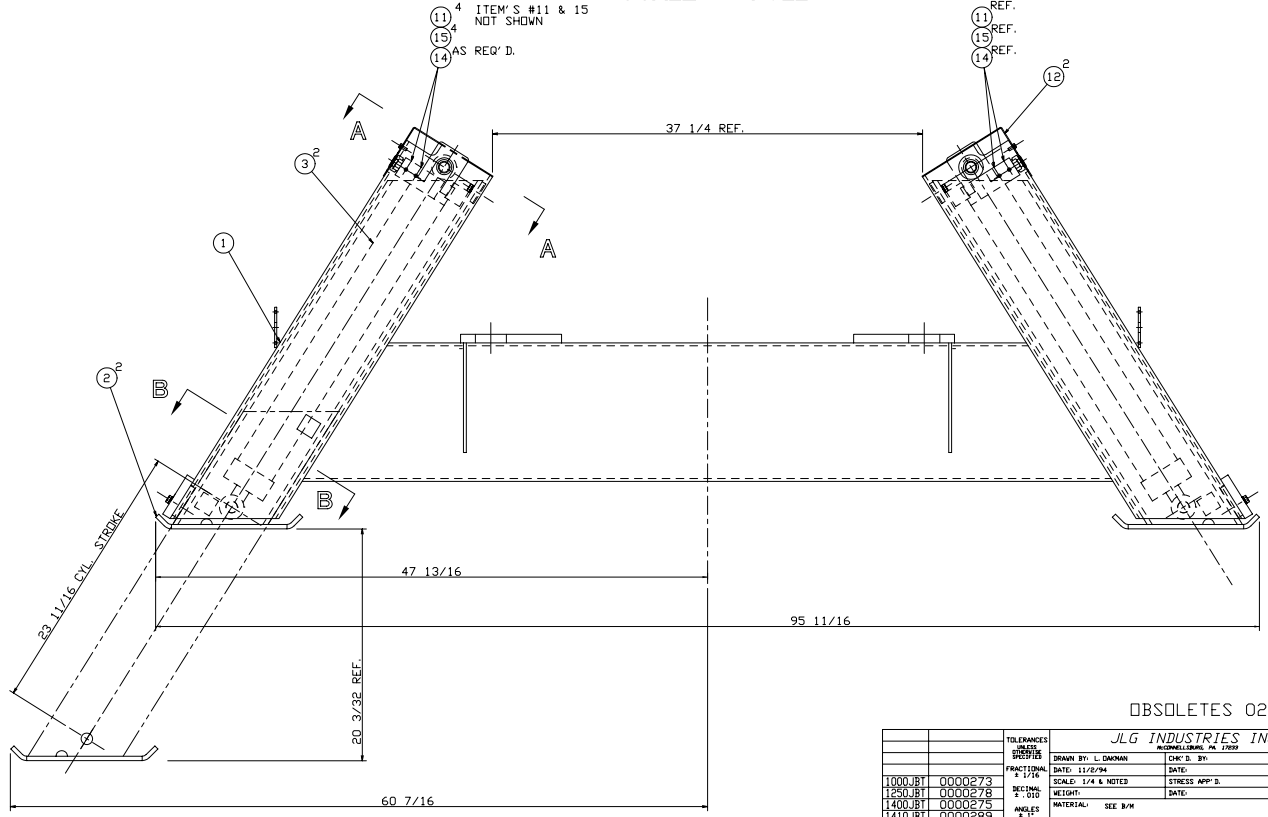
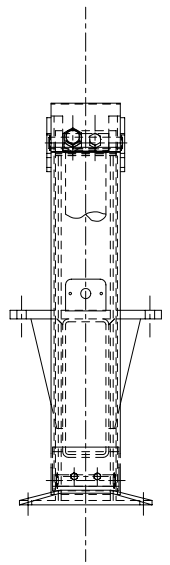
REVISIONS						
REV	ZONE	DATE	BY	DESCRIPTION	EAR	ER NO
A		5/15/95	LDM	SEE B/W		06349
B		4-08-96	TEL	SEE B/W		000549
C		1/24/00	DEL	UPDATED DWG. TO MATCH DETAILS	E-482	002376
D		6/17/00	DEL	CHG'ED PICT. OF ITEM 1 TO MATCH DETAILS	E-509	002451



SECTION B-B  
SCALE - FULL



VIEW A-A  
SCALE - FULL



50255282

OBSELETE'S 0253820

TOLERANCES UNLESS SPECIFIED		JLG INDUSTRIES INC.	
FRACTIONAL	DECIMAL	DATE	SCALE
1000:1	0.000275	11/2/94	1/4 & NOTED
1250:1	0.000275		
1400:1	0.000275		
1410:1	0.000289		
1500:1	0.000281		
1700:1	0.000277		
MODEL	NEXT ASS'Y.		

DRWN BY	CHK'D BY	REF. Dwg. NO.
L. DAWSON		0253820

DATE	STRESS APP'D.	DATE	E. & NO.
			25426

REV.	DATE	BY	DESCRIPTION
1			ISSUE FOR

TITLE ASSY- REAR STABILIZERS 10'	
50255282	

