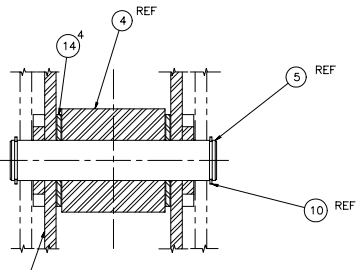
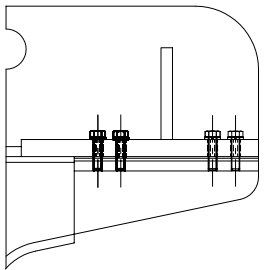


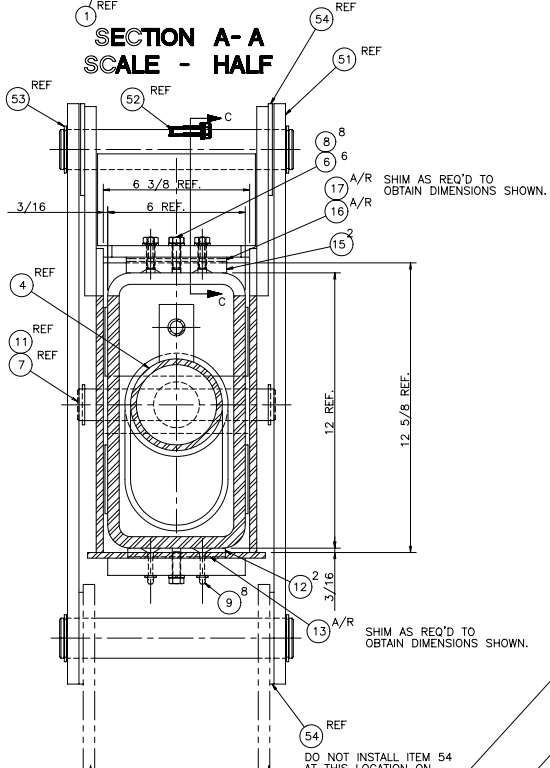
REVISIONS													
REV	DATE	DESCRIPTION	EAR	ER NO	CHKD	REV	ZONE	DATE	BY	DESCRIPTION	EAR	ER NO	CHKD
C	5/13/99	REPLACED ITEM 18, 0253743 & REVISED BY 3/15/99			302046	A	B	3/15/99	DEL	ADDED 0256646 INSTALLATION		300004	
								4/15/99	MAN	ADDED ITEM 18 AND DETAIL 'C'		301875	



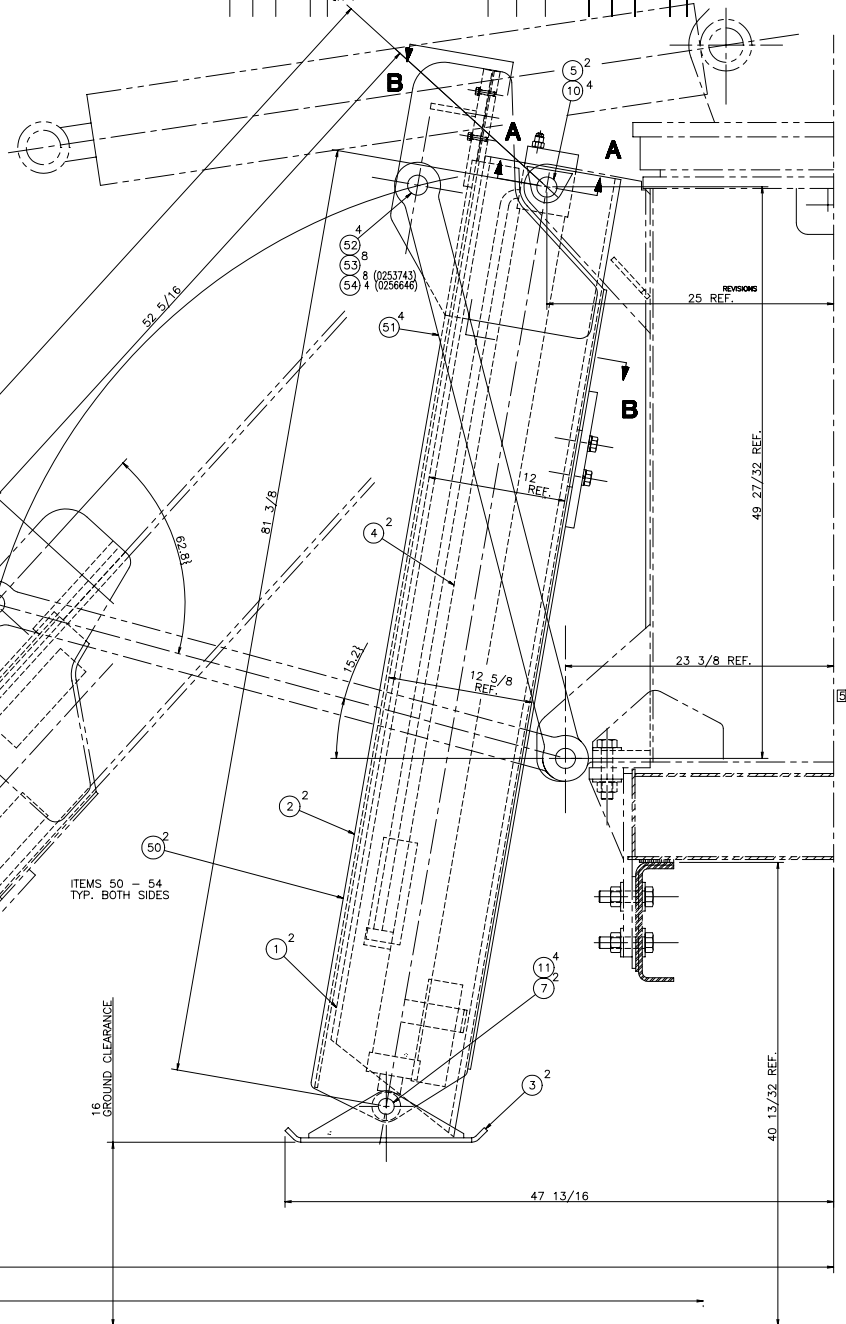
**SECTION A-A  
SCALE - HALF**



**SECTION C-C  
SCALE HALF**



**SECTION B-B  
SCALE - HALF**



B/M	ITEM	1500LBT	700T048Z
70253744	ASSEMBLY, OUTRIGGERS		
70253743	INSTALLATION, O/R'S-ST'D		
70256646	INSTALLATION, O/R'S-ARCTIC		

TOLERANCES UNLESS SPECIFIED			
FRACTIONAL	1/4	1/8	1/16
DECIMAL	0.005	0.010	0.015
ANGLES	UNLESS NOTED OTHERWISE		
FINISH	SEE B/M CHART		
HEAT TREATMENT	SEE B/M CHART		

JLG INDUSTRIES, INC.			
DESIGNED BY	CHK'D BY	REV.	DWG. NO.
DATE: 1/4/93	DATE: XXXXXXX		
SCALE: 1/2"	STRESS APP'D:		
WEIGHT:	DATE:		
MATERIAL: SEE B/M CHART	ER. NO.		
HEAT TREATMENT: SEE B/M CHART	REV. C		
TITLE: ASSY & INST'L-A-FRAME O/R'S	REV. 11/99		
	61282019		