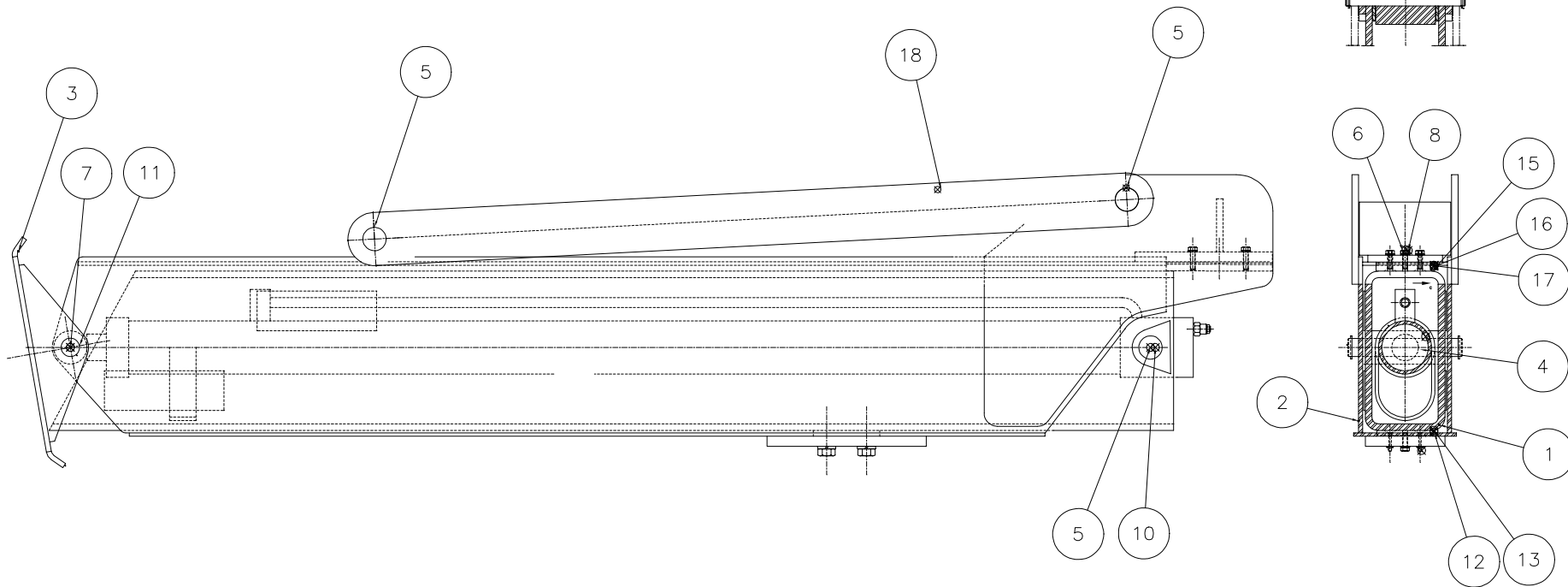


BILL OF MATERIAL				UNIT WEIGHT	REVISIONS
ITEM NO.	PART NUMBER	QTY	DESCRIPTION		
1	4844371	1	INNER TUBE WELD.		EN 302454
2	4844372	1	OUTER TUBE WELD.		JW 5-23-00
3	4843820	1	O/R PAD WELD.		NEW RELEASE
4	1683136	1	CYLINDER		EN 00-0010 04
5	3422195	3	ATTACH PINS		JW 10-26-00
6	0681609	6	HEX HD CAP SCREW		#5 WAS 3422835,QTY 1
7	3421395	1	PAD PIN		DELETED #19
8	4761600	4	3/8" LOCKWASHER		
9	2160006	4	GREASE FITTING		
10	3760264	6	RETAINING RING		
11	3760260	2	RETAINING RING		
12	3340508	1	WEAR PAD ASSEMBLY		
13	4070584	1	SHIM		
14	4753800	6	FLAT WASHER		
15	3340621	1	WEAR PAD ASSEMBLY		
16	4070764	1	SHIM		
17	4070765	1	SHIM		
18	0362979	2	LINK ARM		



DOCUMENT CONTROL STATUS:
 ELECTRONIC FILE = CONTROLLED
 HARD COPY = UNCONTROLLED

SCALE 1/4	DRAWN J. WOOD	CHECKED	APPROV./DATE
20 FT. 10 IN. OUTRIGGER ASSEMBLY			
TOLERANCES (UNLESS SPECIFIED)		0257734	
SHEET 1		OF 1	