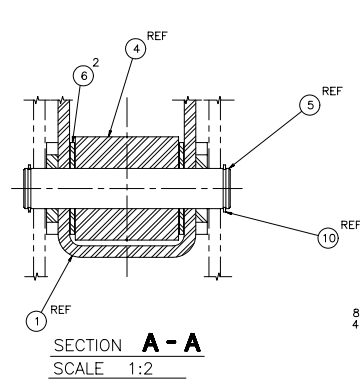


REVISIONS						
REV	ZONE	DATE	BY	DESCRIPTION	EAR	DR. NO./CHKD
A	C-2	4/7/95	DAK	MOVED ITEM 25 TO 4843586 & DELETED ITEM 26	P95046	28026
B		3/8/96	DEL	ADDED 0256647 INSTALLATION		205504
C		1/21/98	MAN	ADDED ITEM NO 17		080026 (201348)

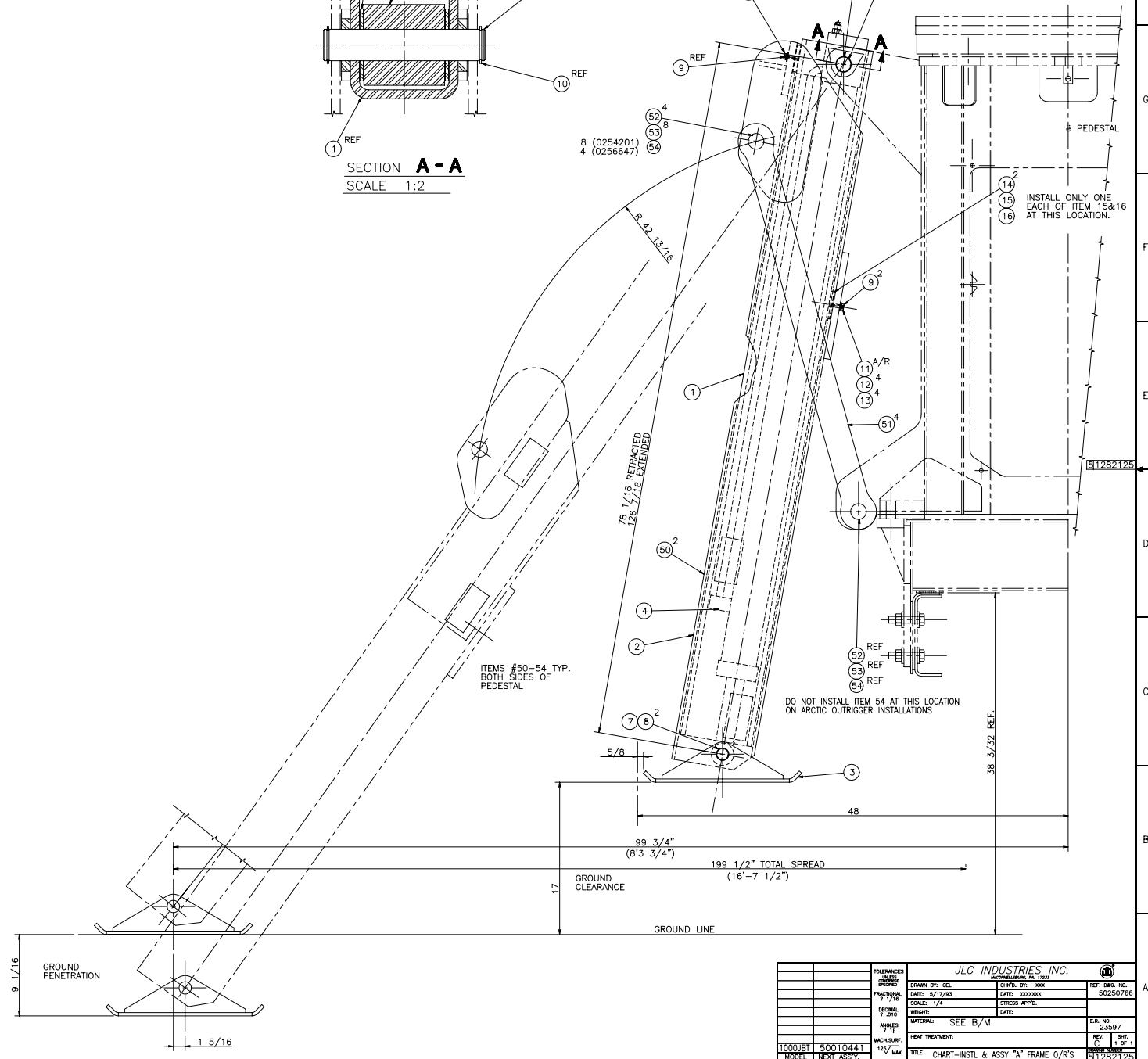


- 17 SHIM AS REQUIRED
- 16 SHIM AS REQUIRED.
- 14 REF
- 11 REF
- 13 REF
- 12 REF

- 8 (0254201)
- 4 (0256647)
- 52
- 53
- 54

14 2
15 2
16 2
INSTALL ONLY ONE EACH OF ITEM 15&16 AT THIS LOCATION.

B/M CHART	
P/N	DESCRIPTION
70254201	INSTL-"A" FRAME O/R'S-STD
70254202	ASSY-"A" FRAME O/R
70256647	INSTL-"A" FRAME O/R'S-ARCTIC



TOLERANCES UNLESS OTHERWISE SPECIFIED			
FRACTIONAL	DECIMAL	ANGLES	WELDING
1/16	0.0015	1/16	1/16
1/32	0.0005	1/32	1/32
3/16	0.0010	3/16	3/16
1/2	0.0020	1/2	1/2
1	0.0050	1	1
2	0.0100	2	2
3	0.0200	3	3
4	0.0400	4	4
5	0.0800	5	5
6	0.1600	6	6
7	0.3200	7	7
8	0.6400	8	8
9	1.2800	9	9
10	2.5600	10	10
11	5.1200	11	11
12	10.2400	12	12
13	20.4800	13	13
14	40.9600	14	14
15	81.9200	15	15
16	163.8400	16	16
17	327.6800	17	17

JLG INDUSTRIES, INC.			
DATE	BY	CHKD. BY	REF. DRG. NO.
5/17/93	DEL	XXX	50250766
DATE	DATE	DATE	DATE
5/17/93	5/17/93	5/17/93	5/17/93
SCALE	SCALE	SCALE	SCALE
1/4	1/4	1/4	1/4
WEIGHT	WEIGHT	WEIGHT	WEIGHT
MATERIAL	SEE B/M	EAR. NO.	23597
HEAT TREATMENT		REV.	C
1000JBT 500T0441	120 MAX	TITLE	CHART-INSTL & ASSY "A" FRAME O/R'S
MODEL	NEXT ASSY.		81282125