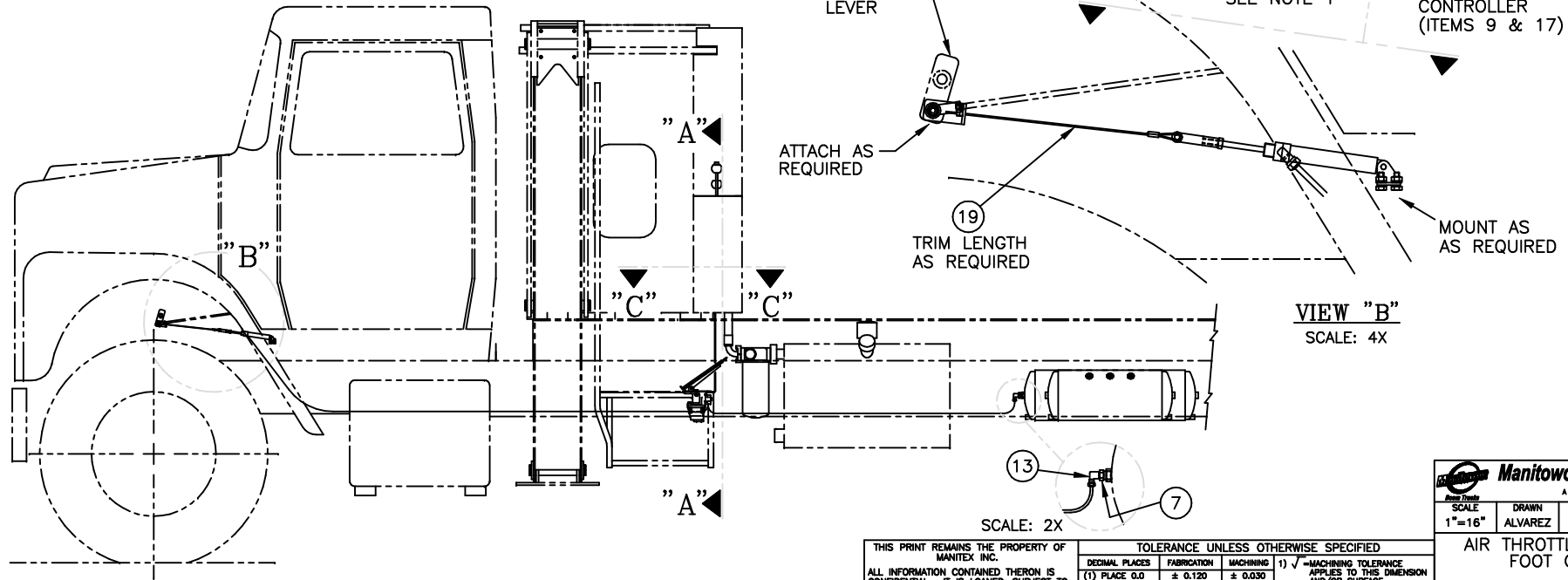


VIEW "A-A"
SCALE: 6X

NOTES:

1. TO IMPROVE METERING OF THROTTLE, A SPRING MAY BE USED TO OPPOSE THE FORCE EXERTED BY THE AIR CYLINDER. SIZE OF SPRING WILL DEPEND ON STIFFNESS OF THE ENGINE THROTTLE LINKAGE.



VIEW "B"
SCALE: 4X

SCALE: 2X

BILL OF MATERIAL					REVISIONS
ITEM NO.	PART NUMBER	QTY	DESCRIPTION	UNIT WEIGHT	
1	2004-051016	6	BOLT ϕ .31NC X 1.00	0.03	EN 92-0001
2	2005-051000	6	HEX NUT ϕ .31NC	0.01	EM 1-14-92
3	2006-050000	6	LOCKWASHER ϕ .31	0.01	A ADDED ITEMS 20 THRU 22
4	2008-050000	6	FLATWASHER .31	0.01	EN 92-0011
5	2010-042000	1	JAM NUT ϕ 0.25 NF	0.01	DS 11-12-92
6	30001-04-02	1	ADP STR MNPT/MNPT	0.10	B DELETED
7	30001-08-04	1	ADP STR MNPT/MNPT	0.20	2 EA. OF:
8	30355-00-04	40'	NYLON TUBING ϕ .25	0.50	30020-04-04
9	30364-04-02	1	FTG STR MALE CONN	0.02	30001-04-04
10	30365-04-04	1	FTG TEE MALE RUN	0.03	30009-04-04
11	30366-04-02	2	FTG 90° MALE CONN	0.02	B1 ADDED VIEW
12	30366-04-04	2	FTG 90° MALE CONN	0.02	C-C
13	30367-04-04	1	FTG 90° FEM CONN	0.02	EN 95-0003
14	4000106-001	1	YOKE ADJUSTABLE	0.08	CEM 3-27-95
15	4000107-001	1	PIN ASSY YOKE	0.02	C ADDED ITEM 19
16	4000164-001	2	AIR CONTROLLER	6.00	EN 95-0007
17	4900134-001	1	SHUTTLE VLV 1/8 NPT	0.10	DAS 7-6-95
18	4900135-001	1	AIR CYLINDER	0.20	D1 SEE SHT 2
19	5002555-001	1	THROTTLE CABLE	0.10	D1 P/N WAS 2003-050000

TOTAL ASSEMBLY WEIGHT. 13.81 LBS.

DOCUMENT CONTROL STATUS:
ELECTRONIC FILE = CONTROLLED
HARDCOPY = UNCONTROLLED

Manitowoc Boom Trucks, Inc.			
SCALE	DRAWN	CHECKED	APPVD./DATE
1"=16"	ALVAREZ	DO	DO 10/88

**AIR THROTTLE INSTALLATION
FOOT OPERATED**

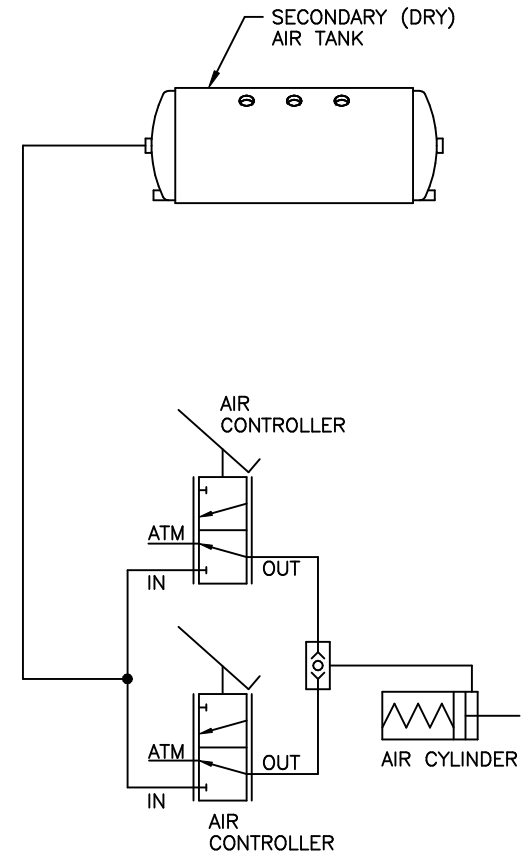
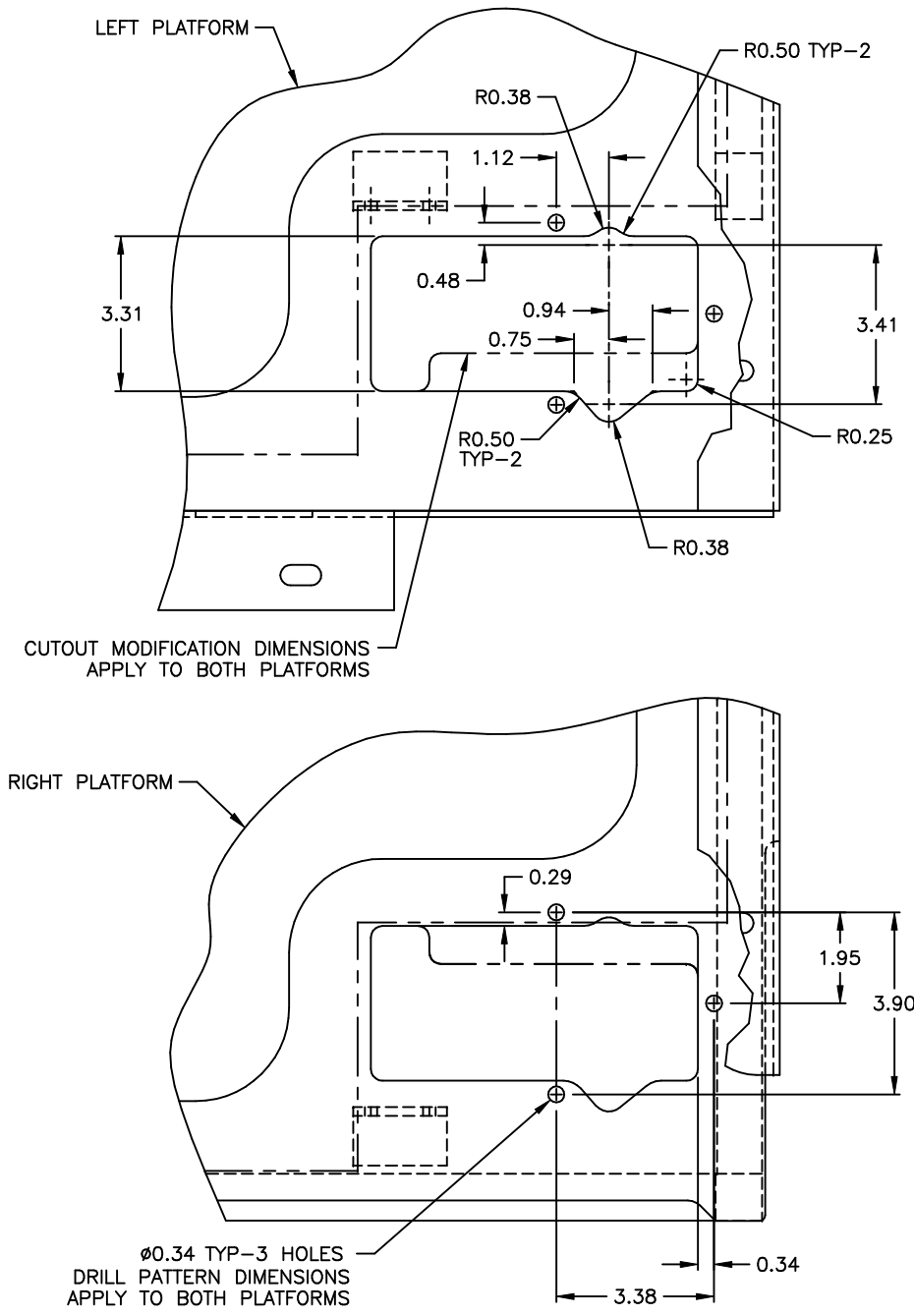
TOLERANCES (UNLESS SPECIFIED) **6000396-001**
 $\pm 1/16"$ SHEET 1 OF 2

THIS PRINT REMAINS THE PROPERTY OF MANITEX INC.
ALL INFORMATION CONTAINED THERON IS CONFIDENTIAL. IT IS LOANED, SUBJECT TO RETURN UPON AND ON EXPRESS CONDITION THAT IT IS NOT TO BE COPIED OR USED DIRECTLY OR INDIRECTLY IN ANY WAY WHATSOEVER DETRIMENTAL TO OUR INTERESTS.

TOLERANCE UNLESS OTHERWISE SPECIFIED		
DECIMAL PLACES	FABRICATION	MACHINING
(1) PLACE 0.0	± 0.120	± 0.030
(2) PLACE 0.00	± 0.080	± 0.015
(3) PLACE 0.000	± 0.030	± 0.005
ANGLES	$\pm 1' 30"$	$\pm 0' 30"$

1) ∇ = MACHINING TOLERANCE APPLIES TO THIS DIMENSION AND/OR SURFACE.
2) ∇ INDICATES A TOLERANCE OTHER THAN INDICATED BY ORIGINAL DECIMAL DIMENSION
EXAMPLE: $\nabla .3125$ = USE ONE DECIMAL PLACE TOLERANCE.

REVISIONS
 A THRU C
 SEE SHT 1
 EN 95-0007
 DAS 7-6-95
 [D] REVISED CUTOUT



THIS PRINT REMAINS THE PROPERTY OF MANITEX INC.
 ALL INFORMATION CONTAINED THERON IS CONFIDENTIAL. IT IS LOANED, SUBJECT TO RETURN UPON AND ON EXPRESS CONDITION THAT IT IS NOT TO BE COPIED OR USED DIRECTLY OR INDIRECTLY IN ANY WAY WHATSOEVER DETRIMENTAL TO OUR INTERESTS.

TOLERANCE UNLESS OTHERWISE SPECIFIED		
DECIMAL PLACES	FABRICATION	MACHINING
(1) PLACE 0.0	± 0.120	± 0.030
(2) PLACE 0.00	± 0.080	± 0.015
(3) PLACE 0.000	± 0.030	± 0.005
ANGLES	± 1' 30"	± 0' 30"

1) √ = MACHINING TOLERANCE APPLIES TO THIS DIMENSION AND/OR SURFACE.
 2) ∇ INDICATES A TOLERANCE OTHER THAN INDICATED BY ORIGINAL DECIMAL DIMENSION.
 EXAMPLE: .3125 = USE ONE DECIMAL PLACE TOLERANCE.

Manitowoc Boom Trucks, Inc.
 A **Manitex** Company

SCALE 1"=2"	DRAWN DAS	CHECKED DM	APPVD./DATE DM 7/95
----------------	--------------	---------------	------------------------

AIR THROTTLE INSTALLATION
 FOOT OPERATED

TOLERANCES (UNLESS SPECIFIED)
 ± 1/16"

6000396-001

SHEET 2 OF 2
 CAD FILE: MTC1785D

DOCUMENT CONTROL STATUS:
 ELECTRONIC FILE = CONTROLLED
 HARDCOPY = UNCONTROLLED