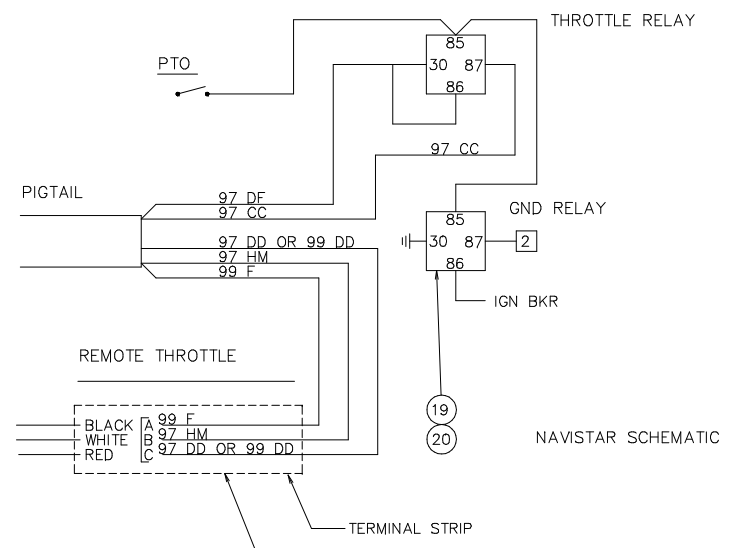
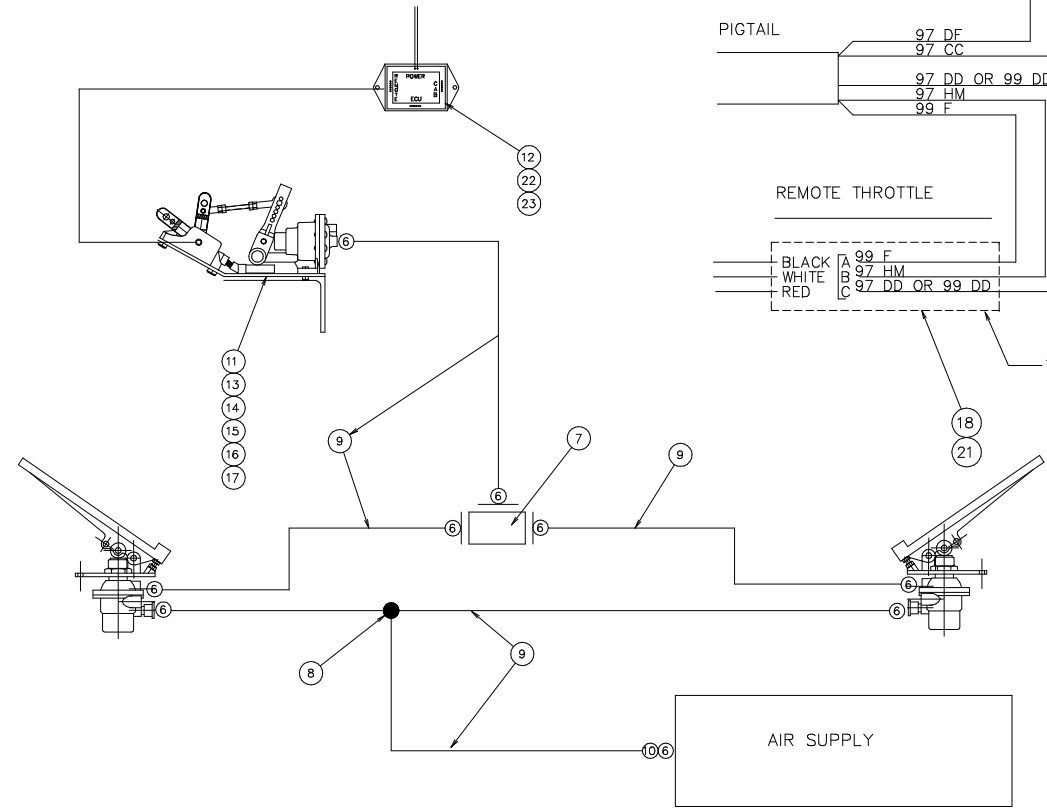
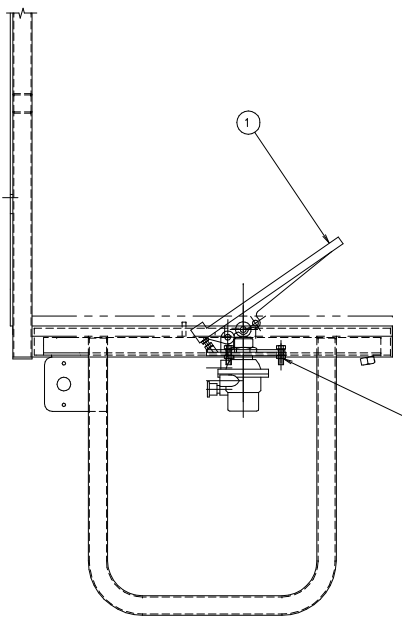
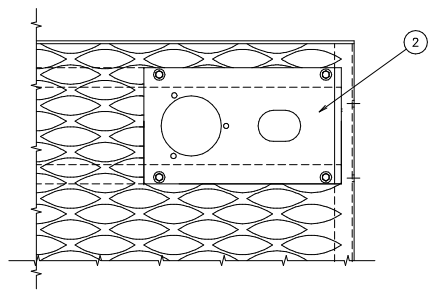


REVISIONS					
REV	ZONE	DATE	BY	DESCRIPTION	ER NO. / PR / CAR

TRUCK ENGINE TYPE	INSTALLATION NUMBER
CUMMINS	0257721
NAVISTAR	0257720
CATTERPILLAR	0257722



SPECIFICATIONS	
1. TORQUE ALL ITEMS DESIGNATED WITHIN A OPEN USTC TORQUE SPECS SPECIFIED ON THE B.O.M.	
2. ALL STRUCTURAL WELDING TO CONFORM TO APPLICABLE STRUCTURAL WELDING CODES.	
3. UNLESS OTHERWISE SPECIFIED, ALL DIMENSIONS ARE IN INCHES.	

DIMENSIONAL TOLERANCES UNLESS OTHERWISE SPECIFIED				
DIMENSIONS	0 TO 24"	24" TO 72"	72" TO 300"	> 300"
FRACTIONAL	+/- 1/16"	+/- 1/16"	+/- 1/8"	+/- 1/4"
DECIMAL	+/- .010"	+/- .020"	+/- .125"	+/- .25"
ANGLES	+/- 2 DEGREES			
SURFACE FINISH SPECIFIED WITH $\sqrt{125}$ MICRO INCHES Ra MAX.				

THIS DOCUMENT IS STRICTLY CONFIDENTIAL AND THE SOLE PROPERTY OF

**USTC, Incorporated** **Montwoc Company**

78 BOWMAN ROAD - YORK, PA. 17404-9804

DRAWN BY: J.WOOD	DATE: 4-25-00	ASSOC. DRAWING: XXXXXXX
SCALE: N/A	WEIGHT:	PROJECT:
MATERIAL: X	THIRD ANGLE PROJECTION APPLIES U.S.	REV. NO. 30243
TITLE: AIR THROTTLES ON PLATFORM	W/ELEC ENG	REV. 1 OF 1
		1282901