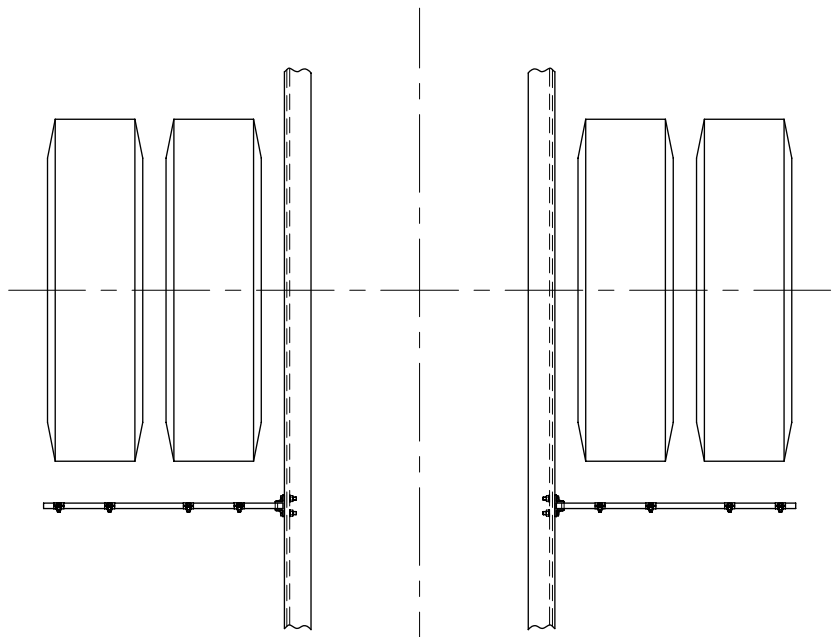
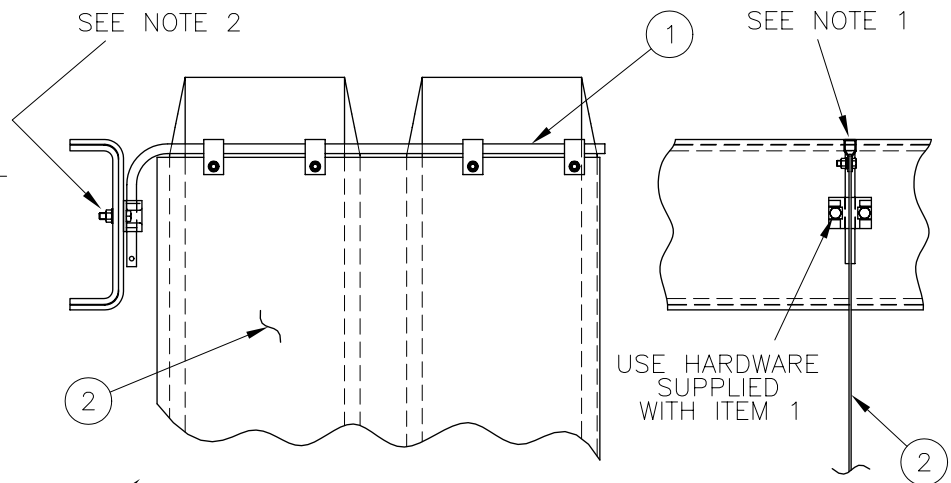


TRUCK TOP VIEW



BILL OF MATERIAL				REVISIONS
ITEM NO.	PART NUMBER	QTY	DESCRIPTION	UNIT WEIGHT
1	4000695-001	1	MUDFLAP BRACKET KIT	-
2	4000157-001	2	MUDFLAP	-

EN 96-0017
EO 9/4/96
NEW RELEASE

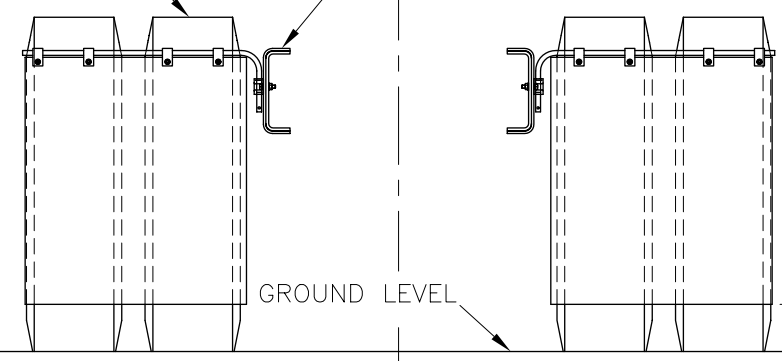


SEE NOTE 2

SEE NOTE 1

USE HARDWARE SUPPLIED WITH ITEM 1

TRUCK CHASSIS REF.  
TRUCK TIRES REF.



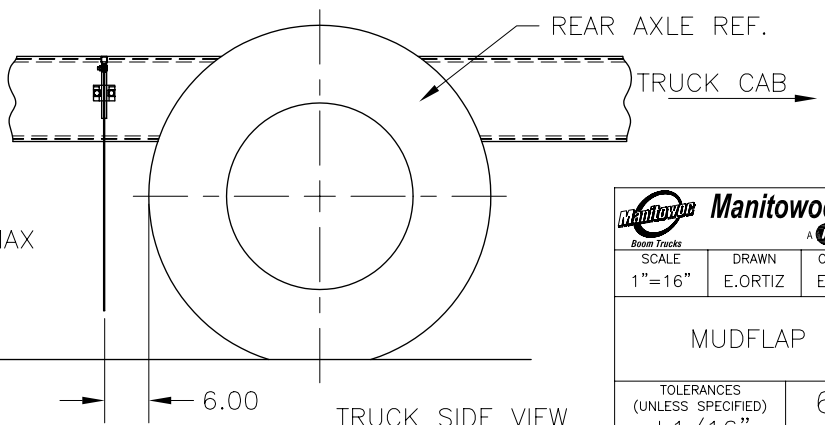
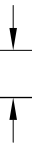
GROUND LEVEL

TRUCK REAR VIEW

NOTE 1- THE TOP OF THE MUDFLAP BRACKETS MUST NOT EXTEND ABOVE THE TRUCK CHASSIS.

NOTE 2- DRILL (2)-1/2"Ø HOLES THRU THE TRUCK CHASSIS USE BRACKET AS TEMPLATE. TYPICAL 2-PLACES.

8.00 MAX



REAR AXLE REF.

TRUCK CAB

6.00

TRUCK SIDE VIEW

DOCUMENT CONTROL STATUS:  
ELECTRONIC FILE = CONTROLLED  
HARDCOPY = UNCONTROLLED

<b>Manitowoc Boom Trucks, Inc.</b> <small>A Manitowoc Company</small>			
SCALE 1"=16"	DRAWN E.ORTIZ	CHECKED E.ORTIZ	APPVD./DATE D.MORAVEC 9/96
MUDFLAP INSTALLATION			
TOLERANCES (UNLESS SPECIFIED) ±1/16"		6000762-001	
SHEET		1	OF 1