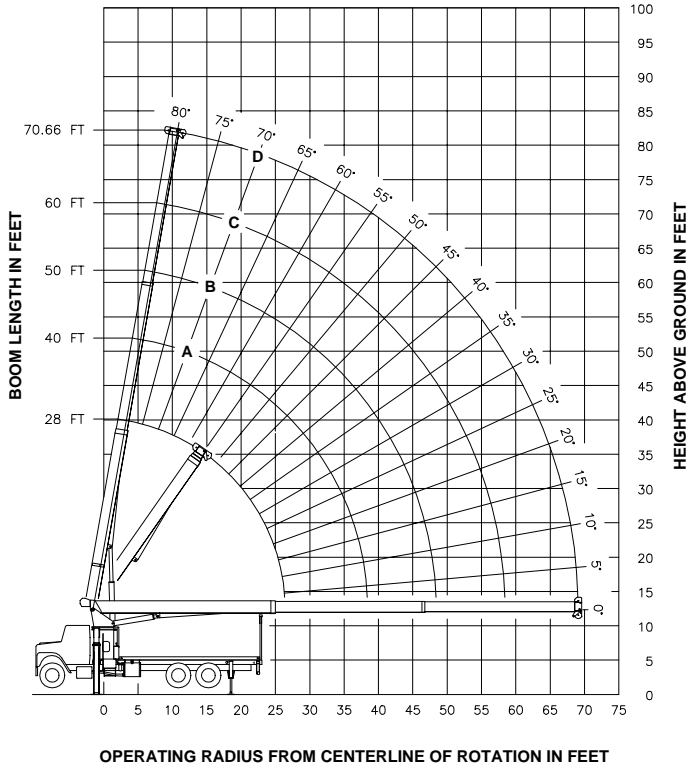


### RANGE DIAGRAM



HEIGHT ABOVE GROUND IN FEET

OPERATING RADIUS FROM CENTERLINE OF ROTATION IN FEET

### LMI OPERATING CODES

SETTING CRANE CONFIGURATION      SETTING CRANE WITH PERSONNEL LIFTING PLATFORM  
 #1--- MAIN BOOM      #5--- PERSONNEL LIFTING PLATFORM ON MAIN BOOM

### ALLOWABLE LINE PULL

1 PART LINE	2 PART LINE	3 PART LINE	4 PART LINE	5 PART LINE	6 PART LINE	7 PART LINE	<b>WARNING</b>
8500 LBS	17000 LBS	25500 LBS	34000 LBS	42500 LBS	51000 LBS	60000 LBS	
7400 LBS	14800 LBS	22200 LBS	29600 LBS	37000 LBS	44400 LBS	51800 LBS	<p>9/16" 6X25 IWRC (3.5:1 SF) - 29750 LBS MIN BREAKING STRENGTH</p> <p>9/16" ROT RESISTANT (5.0:1 SF) - 37000 LBS MIN BREAKING STRENGTH</p>

### DEDUCTIONS FROM RATED LOADS FOR LOAD HANDLING DEVICES SUPPLIED BY MANITEX

AUXILIARY BLOCK ----- 50 LBS  
 AUXILIARY SHEAVE ----- 50 LBS  
 OVERHAUL BALL ----- SEE OVERHAUL BALL MFG. NAMEPLATE  
 LOAD BLOCK ----- SEE BLOCK MFG. NAMEPLATE  
 HOSE REEL ----- 140 LBS

### LOAD RATINGS IN LBS WITH OUTRIGGERS AND STABILIZERS EXTENDED

OPERATING HEIGHT		LMI CODE #1							
		LOADED BOOM ANGLE		BOOM LENGTH AND MARKER					
		28 FT	A	B	C	D			
		28 FT	40 FT	50 FT	60 FT	70.66 FT			
5	80	60000							
8	73	41360	79	38860					
10	69	35200	76	32740	79	31530			
12	64	30820	73	28420	77	27220	80	26400	
15	57	26120	68	23870	73	22700	77	21890	79
20	43	20810	60	19000	67	17920	72	17150	75
25	22	16300	51	15830	61	14880	66	14150	71
30			41	13060	54	12730	61	12070	67
35			27	9880	46	10010	55	10080	62
40					36	7870	49	7940	57
45					24	6340	42	6420	52
50							33	5280	46
55							22	4390	40
60									32
65									22

### WARNING

- THE OPERATOR MUST READ AND UNDERSTAND THE OWNER'S MANUAL BEFORE OPERATING THIS CRANE.
- POSITIONING OR OPERATION OF CRANE BEYOND AREAS SHOWN ON THIS CHART IS NOT INTENDED OR APPROVED EXCEPT WHERE SPECIFIED IN OWNER'S MANUAL.
- LOADED BOOM ANGLES AT SPECIFIED BOOM LENGTHS GIVE ONLY AN APPROXIMATION OF THE OPERATING RADIUS. THE BOOM ANGLE BEFORE LOADING SHOULD BE GREATER TO ACCOUNT FOR DEFLECTIONS. DO NOT EXCEED THE OPERATING RADIUS FOR RATED LOADS.
- FOR BOOM LENGTHS NOT SHOWN, USE RATING OF NEXT SHORTER OR LONGER BOOM LENGTH, WHICHEVER IS LESS. FOR RADIUS NOT SHOWN, USE RATING OF NEXT LONGER RADIUS.
- CRANE LOAD RATINGS ON OUTRIGGERS ARE BASED ON FREELY SUSPENDED LOADS WITH THE MACHINE LEVELED AND STANDING ON A FIRM UNIFORM SUPPORTING SURFACE. NO ATTEMPT SHALL BE MADE TO MOVE A LOAD HORIZONTALLY ON THE GROUND IN ANY DIRECTION.
- PRACTICAL WORKING LOADS DEPEND ON SUPPORTING SURFACE, WIND, AND OTHER FACTORS AFFECTING STABILITY SUCH AS HAZARDOUS SURROUNDINGS, EXPERIENCE OF PERSONNEL, AND PROPER HANDLING, ALL OF WHICH MUST BE TAKEN INTO ACCOUNT BY THE OPERATOR.
- THE MAXIMUM LOAD WHICH MAY BE TELESCOPED IS LIMITED BY HYDRAULIC PRESSURE, BOOM ANGLE, AND BOOM LUBRICATION. IT IS SAFE TO ATTEMPT TO TELESCOPE ANY LOAD WITHIN THE LIMITS OF THE LOAD RATING CHART. BOOM MUST BE FULLY RETRACTED AGAINST BOOM STOPS AT ALL TIMES WHEN LIFTING MINIMUM BOOM LENGTH CAPACITY LOADS.

### INFORMATION

- DEDUCTIONS MUST BE MADE FROM RATED LOADS FOR OPTIONAL ATTACHMENTS, HOOKS, AND LOAD BLOCKS (SEE DEDUCTION CHART). WEIGHTS OF SLINGS AND ALL OTHER LOAD HANDLING DEVICES SHALL BE CONSIDERED A PART OF THE LOAD.
- CRANE LOAD RATINGS WITH OUTRIGGERS ARE BASED ON OUTRIGGERS AND STABILIZERS EXTENDED AND SET WITH MACHINE LEVELED.
- LOAD RATINGS ABOVE THE HEAVY LINE ARE STRUCTURALLY LIMITED CAPACITIES. LOAD RATINGS BELOW THE HEAVY LINE ARE STABILITY LIMITED CAPACITIES AND DO NOT EXCEED 85% OF TIPPING.

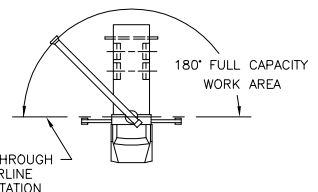
### DEFINITIONS

- OPERATING RADIUS IS THE HORIZONTAL DISTANCE FROM THE AXIS OF ROTATION TO THE CENTER OF THE VERTICAL HOIST LINE OR TACKLE WITH LOAD APPLIED.
- LOADED BOOM ANGLE AS SHOWN IN THE COLUMN HEADED BY  $\alpha$ , IS THE INCLUDED ANGLE BETWEEN THE HORIZONTAL AND LONGITUDINAL AXES OF THE BOOM BASE AFTER LIFTING RATED LOAD AT RATED RADIUS.



### MODELS 3071C & 3071T

CRANE MEETS ANSI B30.5 REQUIREMENTS



AREA OF OPERATION

7300096-004 NR