


Load Rating Chart



Model 3071C & 3071T

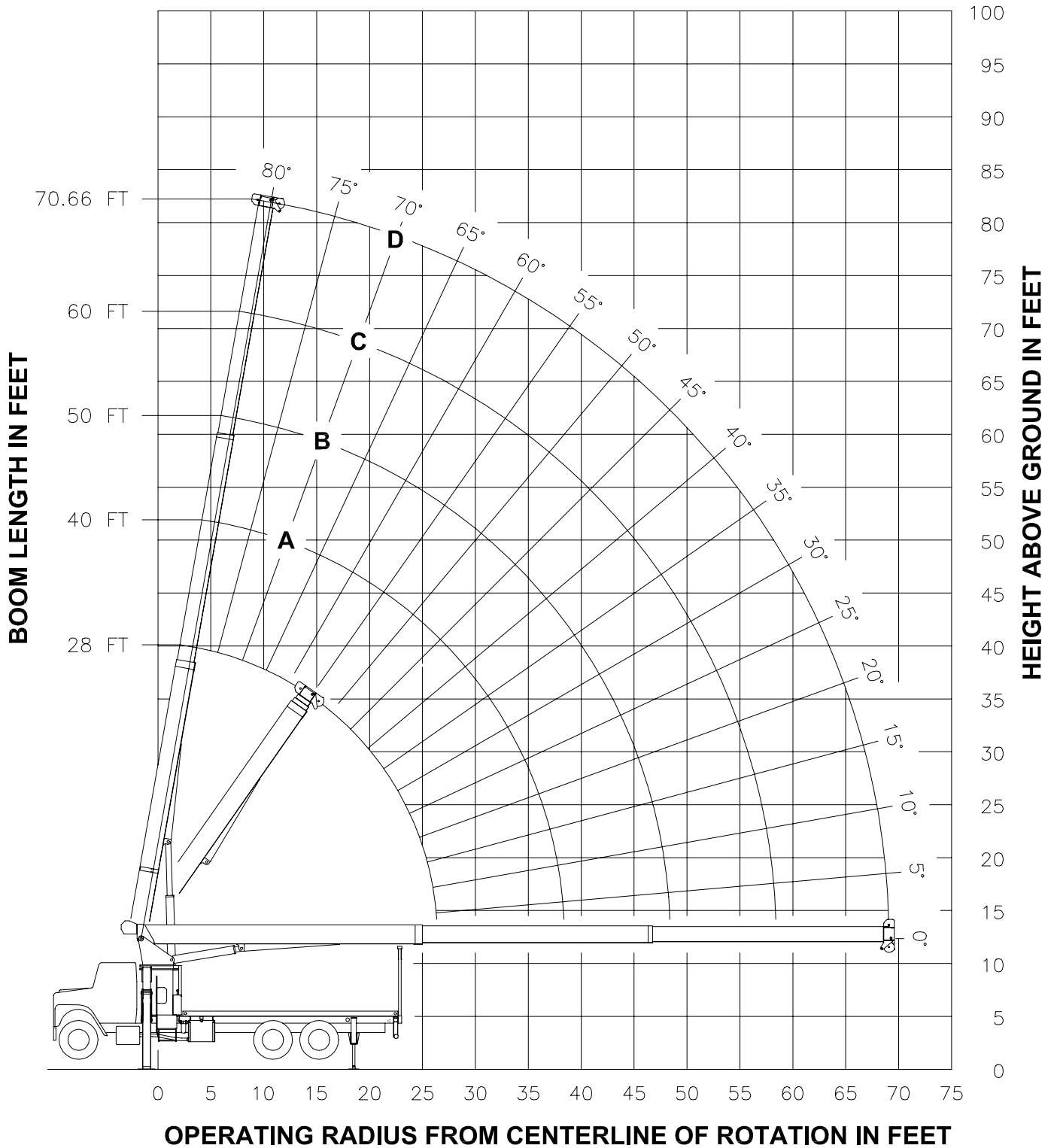


© Manitex

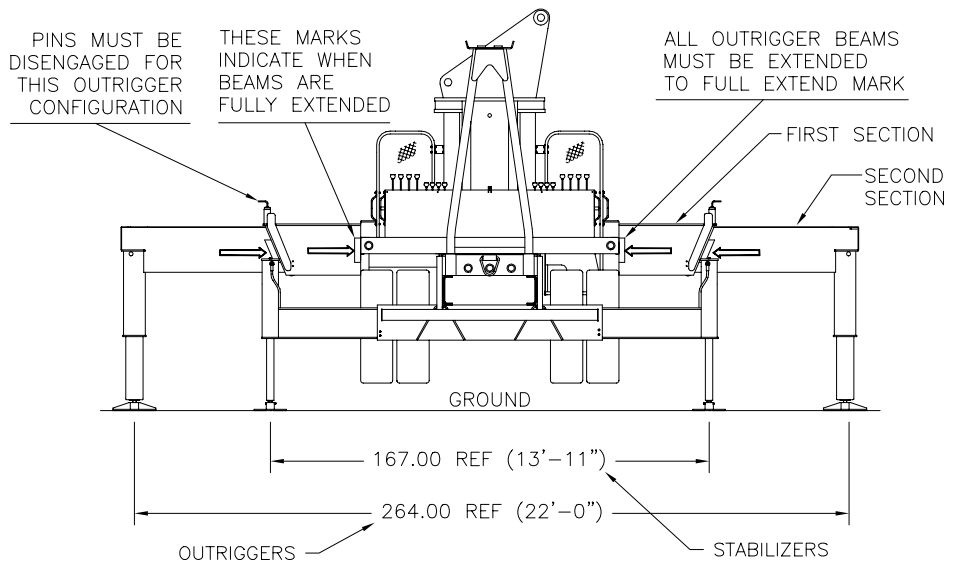
NOTE: Additional copies of this Load Rating Chart can be purchased from your Manitex Distributor. When ordering, use the part number shown in the bottom left corner of this page.

RANGE DIAGRAM - FULL SPREAD CONFIGURATION -

RANGE DIAGRAM



**USE THIS CHART ONLY
WHEN OUTRIGGERS
AND STABILIZERS ARE
FULLY EXTENDED**



- FULL SPREAD CONFIGURATION -

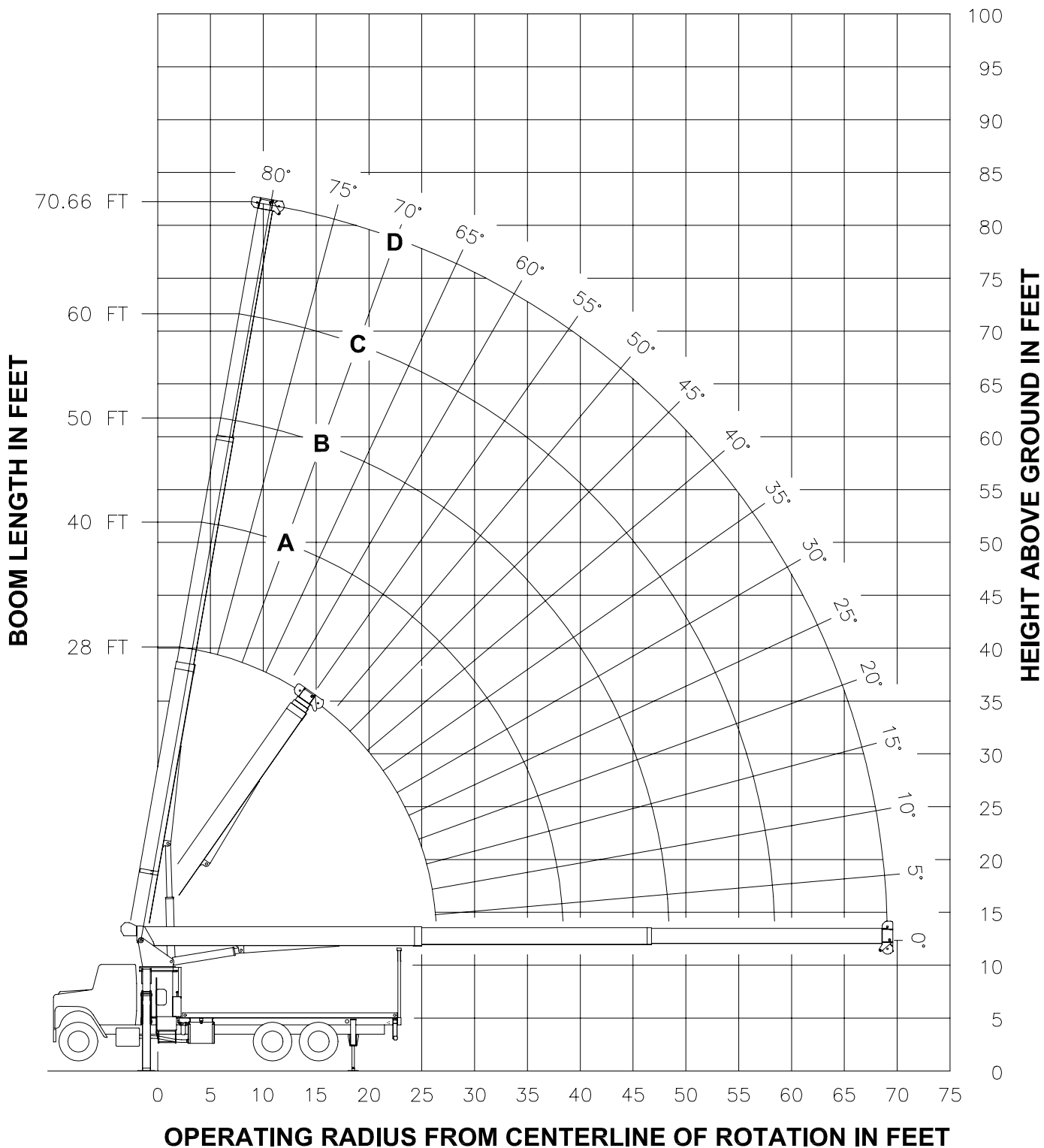
MAIN BOOM LOAD RATINGS IN LBS WITH OUTRIGGERS AND STABILIZERS PLACED AS SHOWN AND THE CRANE LEVEL

LMI CODE #1

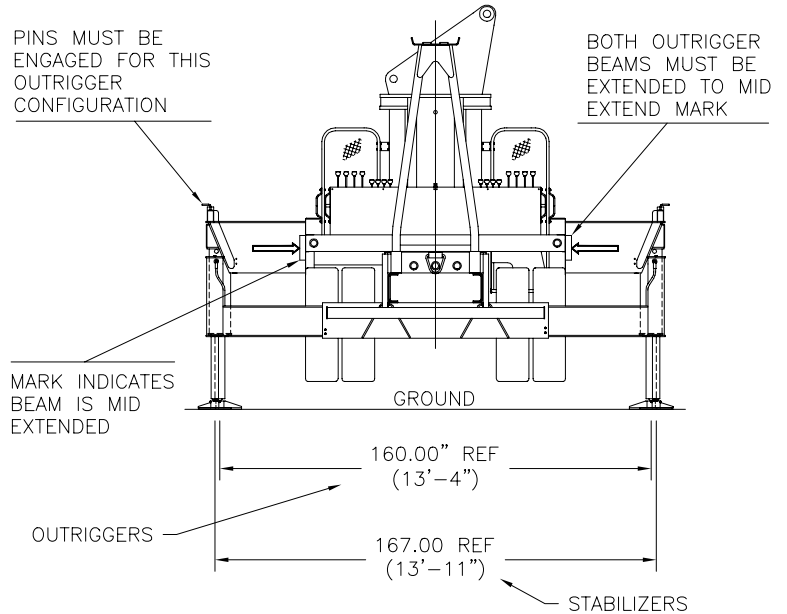
OPERATING RADIUS FT	LOADED BOOM ANGLE		BOOM LENGTH AND MARKER							
	∠	28 FT	∠	40 FT	∠	50 FT	∠	60 FT	∠	70.66 FT
5	80	60000								
8	73	41360	79	38860						
10	69	35200	76	32740	79	31530				
12	64	30820	73	28420	77	27220	80	26400		
15	57	26120	68	23870	73	22700	77	21890	79	19850
20	43	20810	60	19000	67	17920	72	17150	75	16530
25	22	16300	51	15830	61	14880	66	14150	71	13570
30			41	13060	54	12730	61	12070	67	11480
35			27	10140	46	10270	55	10340	62	9750
40					36	8090	49	8160	57	8210
45					24	6540	42	6610	52	6660
50							33	5450	46	5500
55							22	4550	40	4600
60									32	3890
65									22	3290

RANGE DIAGRAM - INTERMEDIATE SPREAD CONFIGURATION - (MID EXTEND)

RANGE DIAGRAM



**USE THIS CHART ONLY WHEN
FRONT OUTRIGGERS ARE IN THE
INTERMEDIATE POSITION AND
STABILIZERS
ARE FULLY EXTENDED**



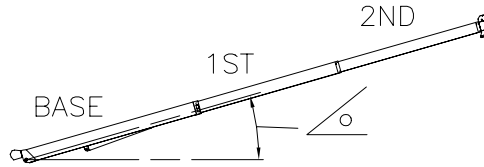
**- INTERMEDIATE SPREAD CONFIGURATION -
(MID EXTEND)**

MAIN BOOM LOAD RATINGS IN LBS WITH OUTRIGGERS AND STABILIZERS PLACED AS SHOWN AND THE CRANE LEVEL

LMI CODE #9

OPERATING RADIUS

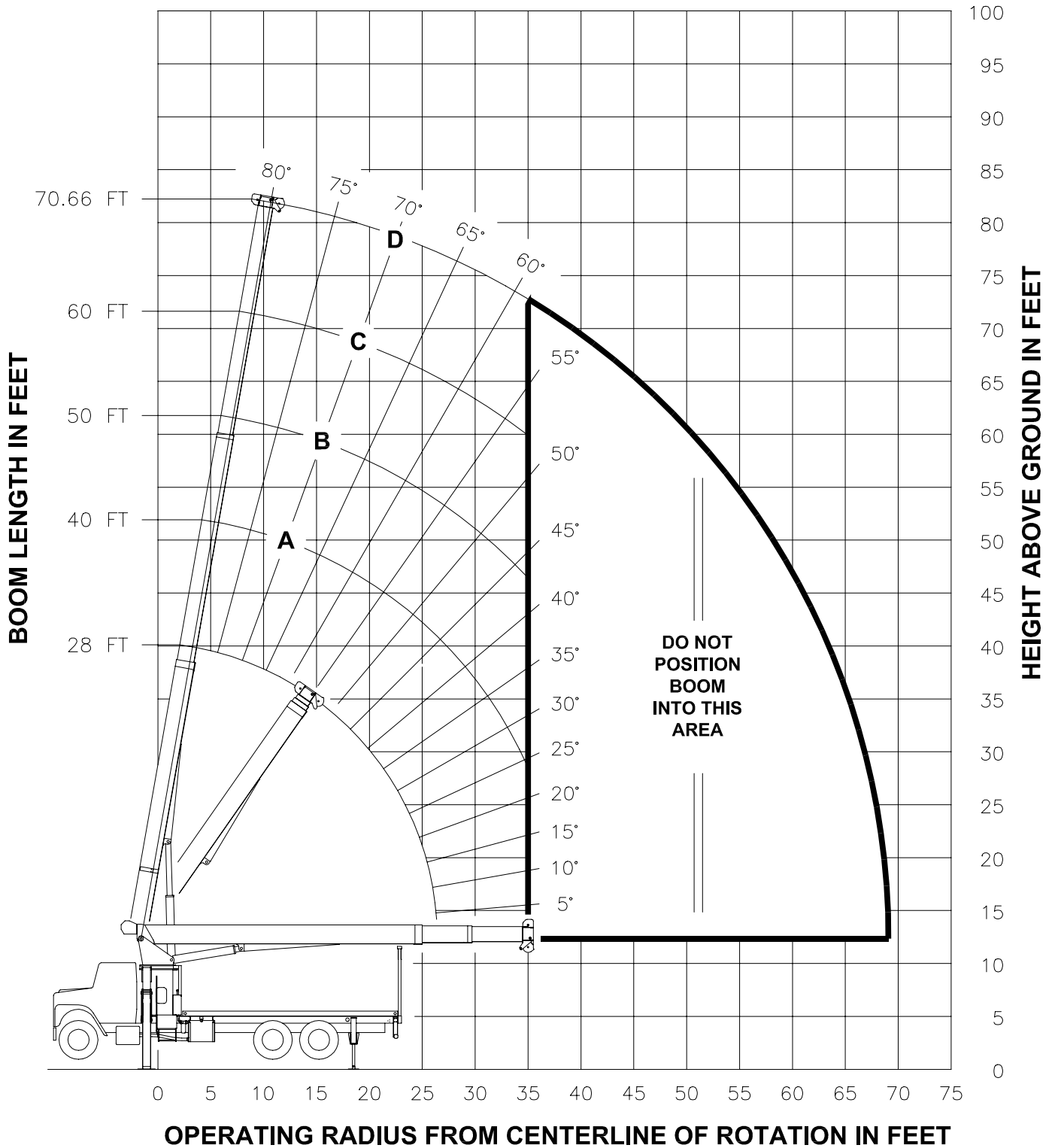
LOADED BOOM ANGLE
BOOM LENGTH AND MARKER



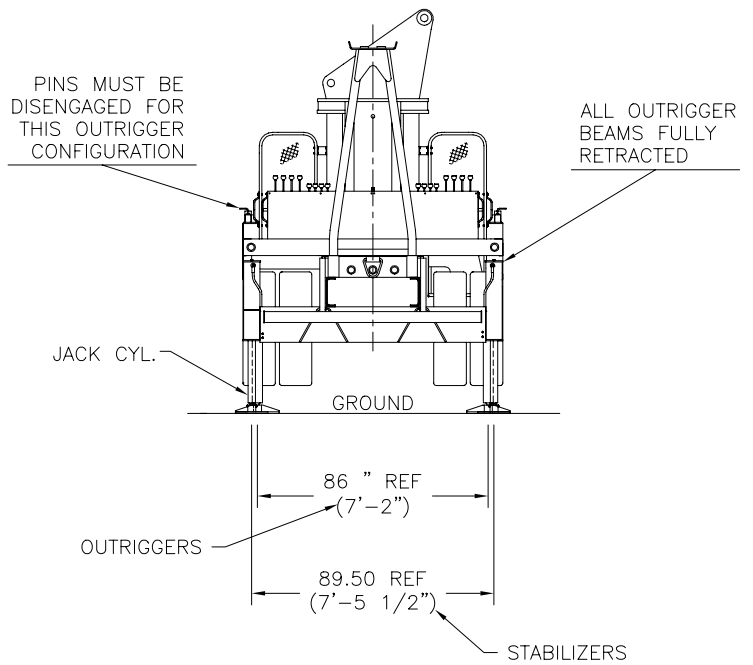
OPERATING RADIUS	28 FT		A		B		C		D	
	BOOM ANGLE	BOOM LENGTH AND MARKER	BOOM ANGLE	BOOM LENGTH AND MARKER	BOOM ANGLE	BOOM LENGTH AND MARKER	BOOM ANGLE	BOOM LENGTH AND MARKER	BOOM ANGLE	BOOM LENGTH AND MARKER
5	80	60000								
8	73	41360	79	38860						
10	69	35200	76	32740	79	31530				
12	64	30820	73	28420	77	27220	80	26400		
15	57	21230	68	21510	73	21630	77	21710	79	19850
20	43	12190	60	12440	67	12550	72	12610	75	12650
25	22	8060	51	8320	61	8420	66	8480	71	8510
30			41	5960	54	6060	61	6110	67	6150
35			27	4430	46	4530	55	4590	62	4620
40					36	3460	49	3510	57	3550
45					24	2650	42	2720	52	2750
50							33	2100	46	2140
55							22	1610	40	1660
60									32	1260
65									22	930

RANGE DIAGRAM - FULLY RETRACTED SPREAD CONFIGURATION -

RANGE DIAGRAM



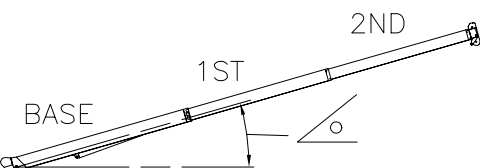
**USE THIS CHART
ONLY WHEN
OUTRIGGERS AND
STABILIZERS ARE
FULLY RETRACTED**



- FULLY RETRACTED SPREAD CONFIGURATION -

MAIN BOOM LOAD RATINGS IN LBS WITH OUTRIGGERS AND STABILIZERS PLACED AS SHOWN AND THE CRANE LEVEL

LMI CODE #13

OPERATING RADIUS FT	LOADED BOOM ANGLE		BOOM LENGTH AND MARKER									
	∠	28 FT	∠	40 FT	A		B		C		D	
	∠	28 FT	∠	40 FT	∠	50 FT	∠	60 FT	∠	70.66 FT		
5	80	60000										
8	73	22390	79	22660								
10	69	14550	76	14780	79	14880						
12	64	10430	73	10640	77	10730	80	10790				
15	57	6960	68	7160	73	7240	77	7290	79	7330		
20	43	3980	60	4180	67	4260	72	4300	75	4330		
25	22	2360	51	2590	61	2660	66	2710	71	2740		
30			41	1590	54	1670	61	1720	67	1740		
35			27	900	46	990	55	1040	62	1070		
40												

INFORMATION

1. DEDUCTIONS MUST BE MADE FROM RATED LOADS FOR OPTIONAL ATTACHMENTS, HOOKS, AND LOADBLOCKS (SEE DEDUCTION CHART). WEIGHTS OF SLINGS AND ALL OTHER LOAD HANDLING DEVICES SHALL BE CONSIDERED A PART OF THE LOAD.
2. LOAD RATINGS ABOVE THE HEAVY LINE ARE STRUCTURALLY LIMITED CAPACITIES. LOAD RATINGS BELOW THE HEAVY LINE ARE STABILITY LIMITED CAPACITIES AND DO NOT EXCEED 85% OF TIPPING.

DEFINITIONS

1. OPERATING RADIUS IS THE HORIZONTAL DISTANCE FROM THE AXIS OF ROTATION TO THE CENTER OF THE VERTICAL HOIST LINE OR TACKLE WITH LOAD APPLIED.
2. LOADED BOOM ANGLE AS SHOWN IN THE COLUMN HEADED BY \angle , IS THE INCLUDED ANGLE BETWEEN THE HORIZONTAL AND LONGITUDINAL AXES OF THE BOOM BASE AFTER LIFTING RATED LOAD AT RATED RADIUS.